



RLT-GNSS-x - OVERVIEW

The **RLT-GNSS-x** from Réaltra Space Systems Engineering is a modular integrated GNSS Receiver Kit for use on launch vehicles.

Our GNSS Module is a modular and scalable telemetry positioning system that is designed to be operated in full integration with the launcher avionics system.

APPLICATIONS

Launcher in-flight positioning telemetry for:

- Launcher stage & booster separation events.
- Faring and payload separation events.
- Upper stage engine firing events
- On-board technology maturation
- In-flight experiment monitoring

Re-Entry vehicle positioning telemetry for:

- Solar array / antenna deployment events
- On-orbit proximity operations with other spacecraft or platforms
- On-board in-flight experiment monitoring
- Re-entry preparation events

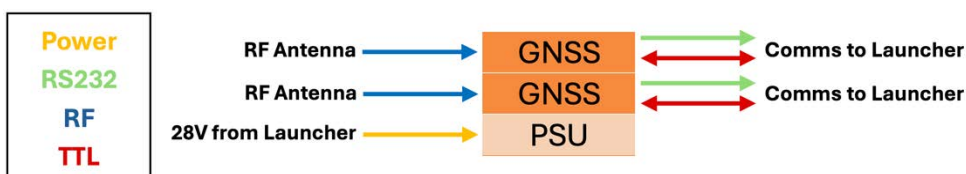
FEATURES

- Modular, scalable, and flexible GNSS telemetry system
- RS232 and 100Mbps Ethernet Capabilities
- Programmable telemetry, Positional, Velocity, and timing/sequencing parameters
- Qualified for launcher and space environment operation
- Latch-up protection



Réaltra provides the Independent Video Kit for Ariane 6

GNSS KIT ARCHITECTURE



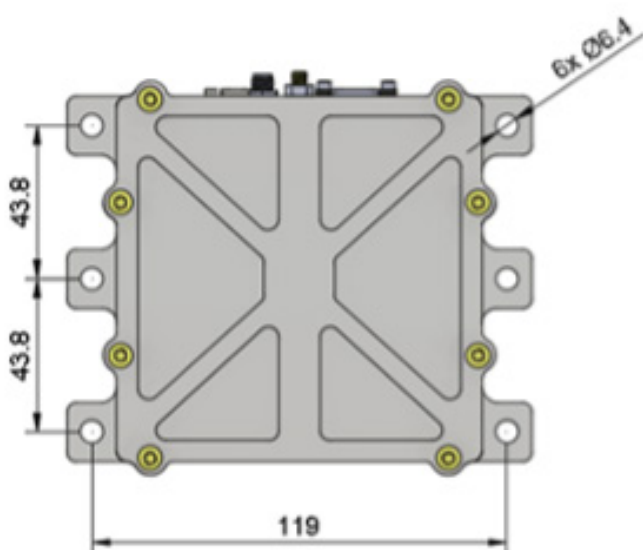
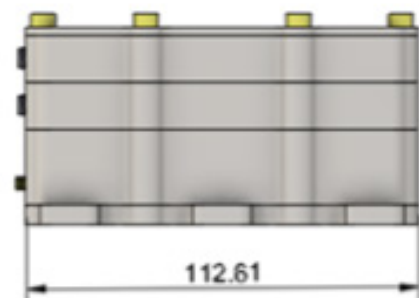
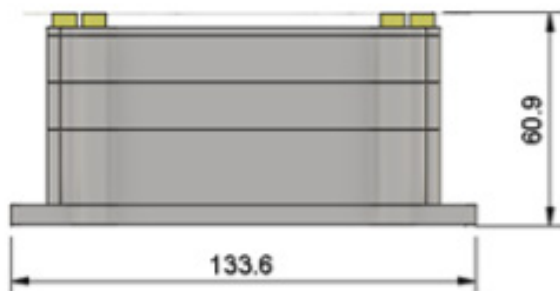
SPECIFICATIONS

Parameter	Units	Value	Notes
Mass	g	950	
Dimensions (L x W x H)	mm	104.6 x 133.6 x 48.2	
Voltage Range	V	24 - 32	
Power Consumption	W	4.5	
Operating Temp	°C	-40 to +80	
Random Vibration	gRMS	25	
Shock	g	5000	
Vacuum	mBar	1×10^{-5}	

MECHANICAL INTERFACE

Mechanical Drawing GNSS

(All Dimensions in Millimetres)



WHILE EVERY EFFORT IS MADE TO ENSURE THE ACCURACY OF ALL INFORMATION PROVIDED, RÉALTRA PROVIDES TECHNICAL DATA IN GOOD FAITH "AS IS" WHICH MAY CONTAIN ERRORS, AND DISCLAIMS ALL WARRANTIES, EXPRESS AND IMPLIED, INCLUDING WITHOUT LIMITATION ANY IMPLIED WARRANTIES OF MERCHANTABILITY AND FITNESS FOR A PARTICULAR PURPOSE.

ELECTRICAL INTERFACE

The GNSS system operates from a +28VDC nominal supply through a 9-way Micro-d sub-miniature connector on the front of the Unit. An RF Coax Connector is available on the front of the Kit to allow for a passive or active GNSS Antenna to be attached.

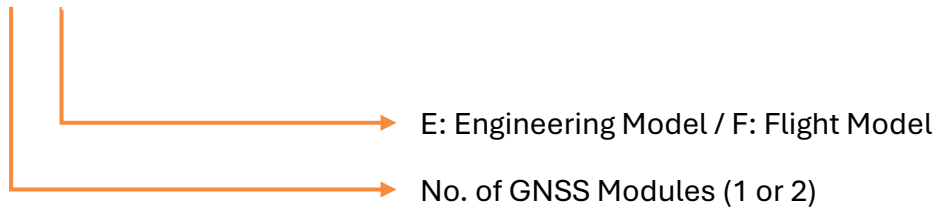
All Data processed by the Unit is output through a 15-way Micro-d sub-miniature connector on the front of the Kit through both Ethernet and RS232. Also available is a Signal line to indicate the on/off state of the Kit through the same connector.

A Grounding Stud is available on the front of the unit to ensure a low resistance path to ground for the chassis.

ORDERING INFORMATION

Part Number:

RLT - GNSS - X - X



Dual layer GNSS Module

To make an enquiry, request a quotation or learn about Réaltra's other products and services, please contact:



Réaltra Space Systems Engineering
The Realtime Building,
Clonshaugh Business Park,
Dublin,
D17 H262,
Ireland.



+353 1 848 6112



info@realtra.space



www.realtra.space



www.linkedin.com/company/realtra

Note: "Ariane 5" and "Ariane 6" are Trademarks owned by ArianeGroup SAS.

Note: Information in this document is subject to change without notice and becomes contractual only after written confirmation by Réaltra Space Systems Engineering.

Manufacturing Partner for Réaltra is Realtime Technologies Ltd. Web: www.realtime.ie

